

ENG

# Conik® AccessWall

Biometric reading unit  
Design and functionality in one single product

- Fingerprint biometrical identification technology.
- Surface installation on walls.
- Simple installation for all types of construction.
- High safety device with cabled connection through the data bus.



**BIODIT**  
BIOMOTIC SOLUTIONS



## MAIN CHARACTERISTICS

- Attractive design in high quality material.
- Fingerprint biometrical identification technology.
- Simple installation with just one UTP CAT5 cable.
- Range of the UTP cabling for data bus of up to 1Km\*.
- Encrypted communication between the reading unit and the control unit through 485 bus.
- Surface installation on walls.
- For covered exteriors.
- Requires connection to a control unit such as Relay Switch or Driver Control.
- Compatible with any control unit and on ONLINE or OFFLINE mode.
- Sound warning by buzzer on access.

\*for distances greater than 25m it will require external power supply.

## TECHNICAL FEATURES

### Biometric features

- Optical sensor
- Area of the sensor: 18 x 22 mm.
- Resolution: 500dpi.
- Authentication time (1:1): Less than 1 second (standard time).
- Identification time (1:500 people): 1.5 seconds.
- Maximum number of fingerprints per Conik WaLL® device: 500 (extendable to 3000 and 5000).
- FAR <= 0.00001%.

### Environmental characteristics

- Operating temperature: -10°C to 45°C.
- Storage temperature: -20°C to 70°C.
- Relative humidity: 20% to 80%.

### Autonomy

- Required power supply: Through the data bus for distances of up to 25m. Requires 3.6Vdc 500mA external power supply for greater distances.

### Interfaces

- External power supply connector: Removable terminal type connector.
- Auxiliary connector, Removable terminal type connectors.
- RJ45 connector for bus connection with the control unit.

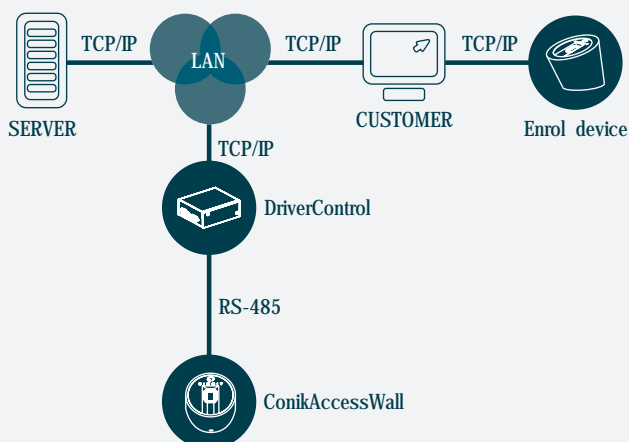
### Network and communications

- Communication through the 485 bus.
- Possibility of ONLINE and OFFLINE operation.

### Installation

- For interiors and covered exteriors.
- Surface.

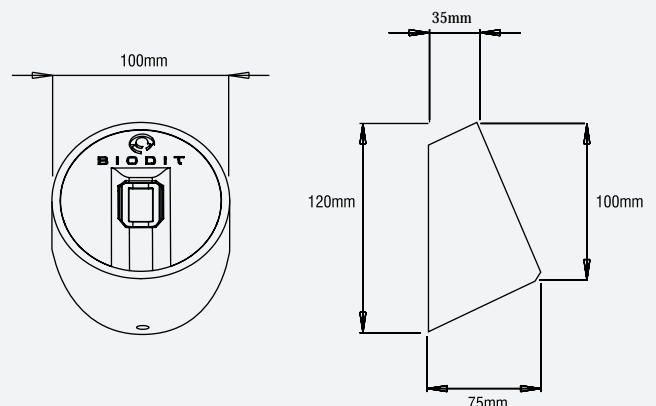
## Topology



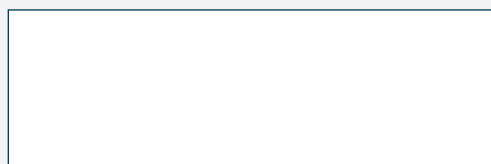
Certification **CE**:

EN 300 328 (v.1.7.19) en 301 489 - 17 (v.1.2.1)  
EN 60950-1 (2006)

## Planimetry



Dealer:



Parque Tecnológico  
Gustave Eiffel, 3  
46980 Paterna  
[Valencia] Spain  
T\_+34 902 544 888  
www.biodit.com